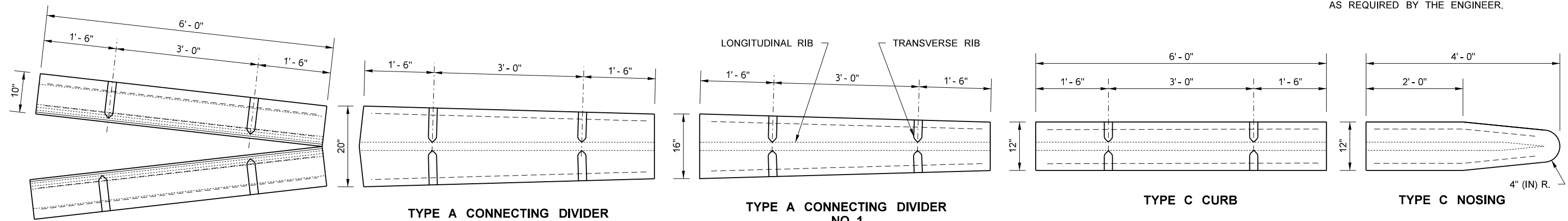


NOTE

- SCUPPERS TO BE PROVIDED AT INTERVALS AS REQUIRED BY THE ENGINEER.



TYPE A CURB SECTION

TYPE A CONNECTING DIVIDER NO. 2

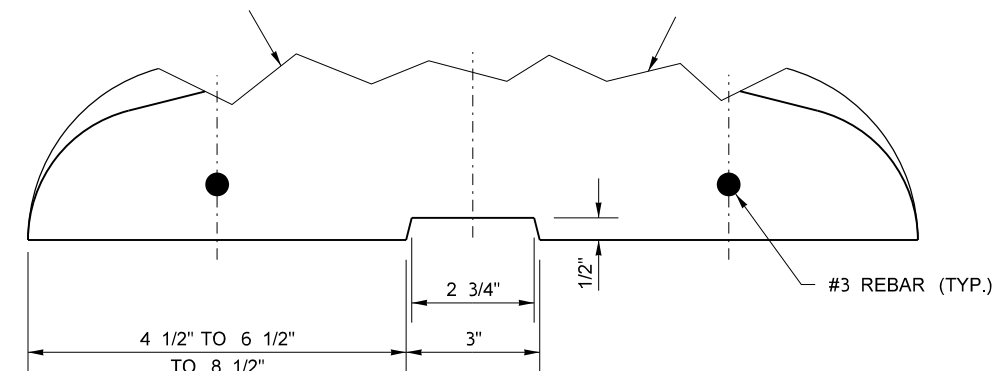
TYPE A CONNECTING DIVIDER NO. 1

TYPE C CURB

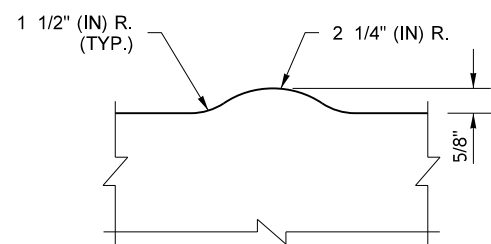
TYPE C NOSING

PLAN VIEW

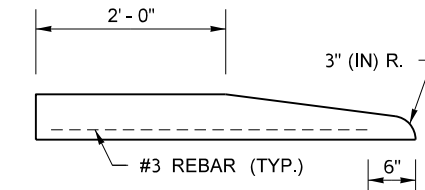
THE MAIN BODY OF THE CURB AND THE LONGITUDINAL RIB SHALL FORM A UNIFORM TRANSITION FROM A TYPE C SECTION TO A TYPE A (BACK TO BACK) SECTION.



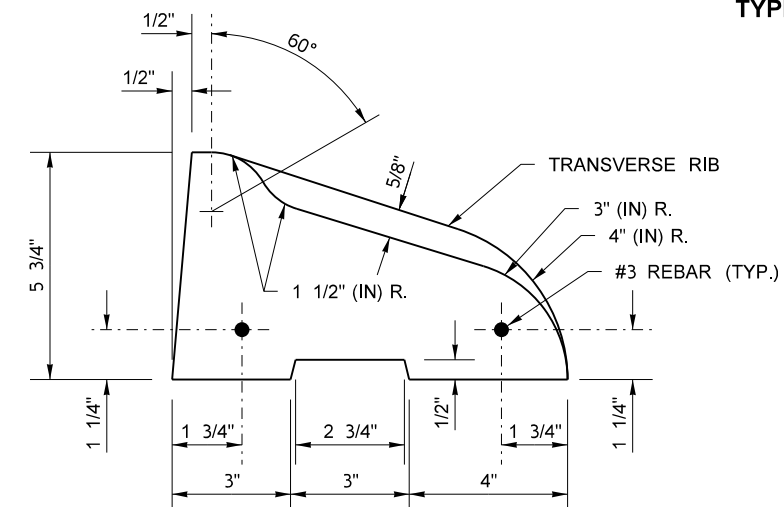
TYPE A CONNECTING DIVIDER SECTION



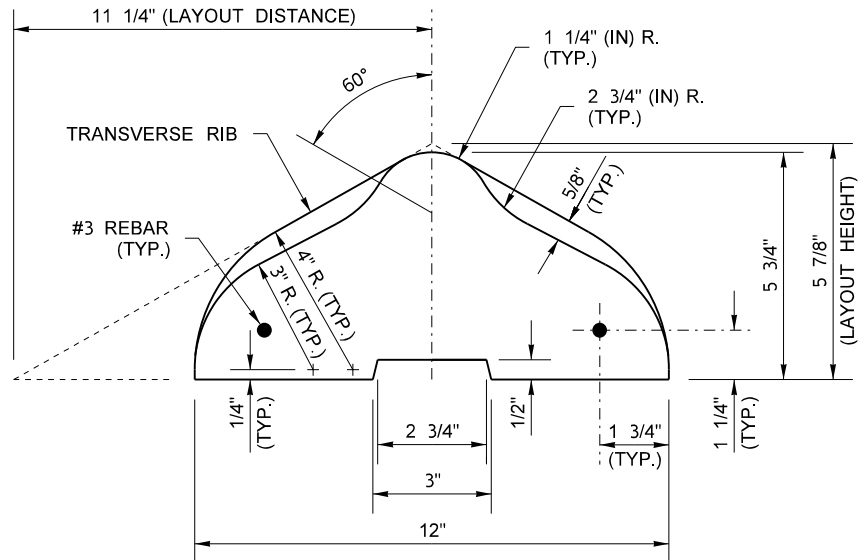
LONGITUDINAL SECTION THROUGH TRANSVERSE RIB



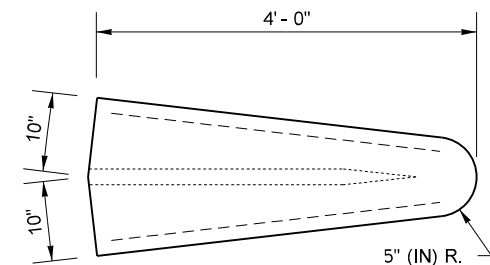
TYPE A & C NOSING ELEVATION



TYPE A CURB SECTION



TYPE C CURB SECTION



TYPE A NOSING

| | | | | | | | | | | | | | |
|---------------|--|---|--|--------------|--|--------------|--|------------------|--|------|--|----------------------|--|
| FILE NAME | | S:\Design R P& S\4-Standards\2-Plan Sheet Library\01-Published PSL(GD) Curbs, Sidewalks, and Driveways Geometric Design(GD-1) Precast Traffic Curb\GD-1.dgn | | REGION NO. | | STATE | | FED.AID PROJ.NO. | | DATE | | PLOT 1 | |
| TIME | | 1:48:19 PM | | WASH | | CONTRACT NO. | | LOCATION NO. | | DATE | | PLAN REF NO | |
| DATE | | 10/6/2014 | | JOB NUMBER | | CONTRACT NO. | | LOCATION NO. | | DATE | | GD-1 | |
| PLOTTED BY | | FletcCo | | CONTRACT NO. | | CONTRACT NO. | | LOCATION NO. | | DATE | | SHEET | |
| DESIGNED BY | | | | CONTRACT NO. | | CONTRACT NO. | | LOCATION NO. | | DATE | | 1 | |
| ENTERED BY | | | | CONTRACT NO. | | CONTRACT NO. | | LOCATION NO. | | DATE | | OF | |
| CHECKED BY | | | | CONTRACT NO. | | CONTRACT NO. | | LOCATION NO. | | DATE | | 1 | |
| PROJ. ENGR. | | | | CONTRACT NO. | | CONTRACT NO. | | LOCATION NO. | | DATE | | SHEETS | |
| REGIONAL ADM. | | REVISION | | DATE | | BY | | DATE | | DATE | | PRECAST TRAFFIC CURB | |

