

APPROVED

Washington State
Department of Transportation
HQ Traffic Operations Office

DATE April 18, 2016 TAT

STRUCTURAL NOTES

1. CONCRETE: 28 DAY COMPRESSIVE STRENGTH $f'_c = 4,000$ psi
2. REBAR: ASTM A-706 GRADE 60
3. WWF: ASTM A-185 GRADE 65
4. DESIGN: PER STANDARD PLAN J-40.20-02
5. LOADS: HEAVY DUTY LOADING, 46,000 lbs

GENERAL NOTES

1. CUSTOMER TO:
VERIFY ALL VAULT FEATURES
SUPPLY & INSTALL ALL PIPING & ELECTRICAL
DO ALL PAINTING

PRODUCT WEIGHT

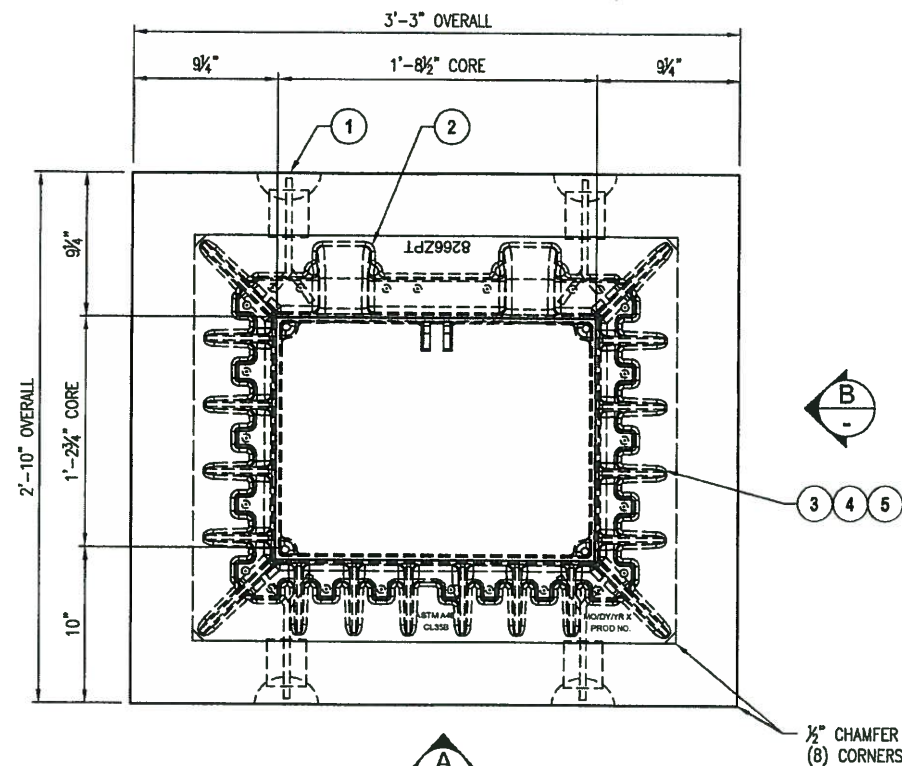
1,230 lbs

SHOP NOTES

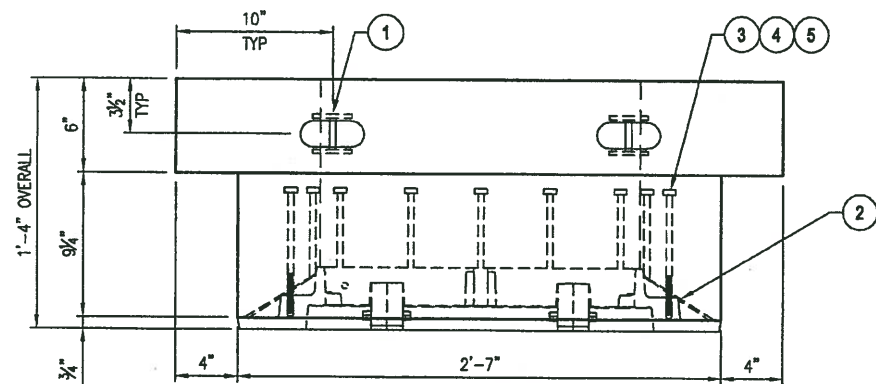
1. USE "TYPE 4 JUNCTION BOX" STEEL FORM LESS CORE
2. USE WOOD FORM FOR CORE BLOCKOUT
3. USE "BRACKETING" TIED TO FORM TO LOCATE & HOLD DOWN CORE
4. CORE FORM DIAGONAL DISTANCE: $4'-3\frac{3}{4}" \pm \frac{1}{8}"$
5. CONCRETE FINISH: FLAT FLOAT FINISH WITH MACHINED EDGES

PRODUCTION QUANTITY

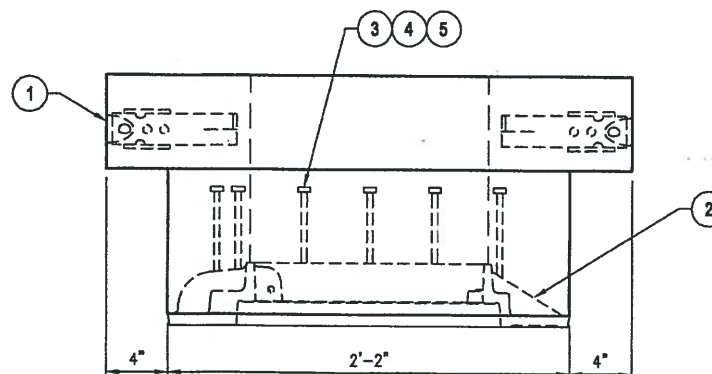
(1) TYPE 4 JUNCTION BOX



PLAN VIEW
LAYOUT (SHOWN AS POURED)



VIEW A

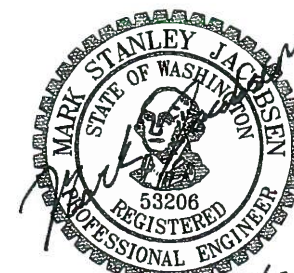


VIEW B

BILL OF MATERIALS			
#	QUANTITY	DESCRIPTION	ITEM #
1	4 ea	ANCHOR 2-TON ERECTION	5100640
2	1 ea	EJW 8266APT ZPT DBL DOOR ASSEMBLY	SUPPLIED
3	24 ea	3/8-16 x 8 1/2" F1544 GR105 ATR STUD	5700045
4	24 ea	3/8-16 GR DH HVY HEX NUT	5700045
3	24 ea	3/8-16 NC GR C HEX LOCK NUT	5700045
	0.23 yds	CONCRETE MIX - SCC	5010000
	0.59 bar	REBAR #4 X 40' A706/GR60	5510030
	0.60 bar	REBAR #5 X 40' A706/GR60	5510050
	14.88 sqf	MESH - 4x2 (SQ. FT)	5500005
	25.00 ea	WOOD & STEEL FORMING CHARGE	9300050

**STATE INSPECTION
REQUIRED**

ENGINEER'S SEAL:
SHOP DRAWINGS REVIEWED FOR
GENERAL CONFORMANCE TO THE INTENT
OF THE WSDOT STANDARD PLAN
J-40.20-02



THIS DOCUMENT IS THE PROPERTY OF OLDCASTLE PRECAST, INC. IT IS CONFIDENTIAL, SUBMITTED FOR REFERENCE PURPOSES ONLY, AND SHALL NOT BE USED IN ANY WAY INJURIOUS TO THE INTERESTS OF OLDCASTLE PRECAST, INC. OR WITHOUT THE WRITTEN PERMISSION OF OLDCASTLE PRECAST, INC. COPYRIGHT © 2015 OLDCASTLE PRECAST, INC. ALL RIGHTS RESERVED.

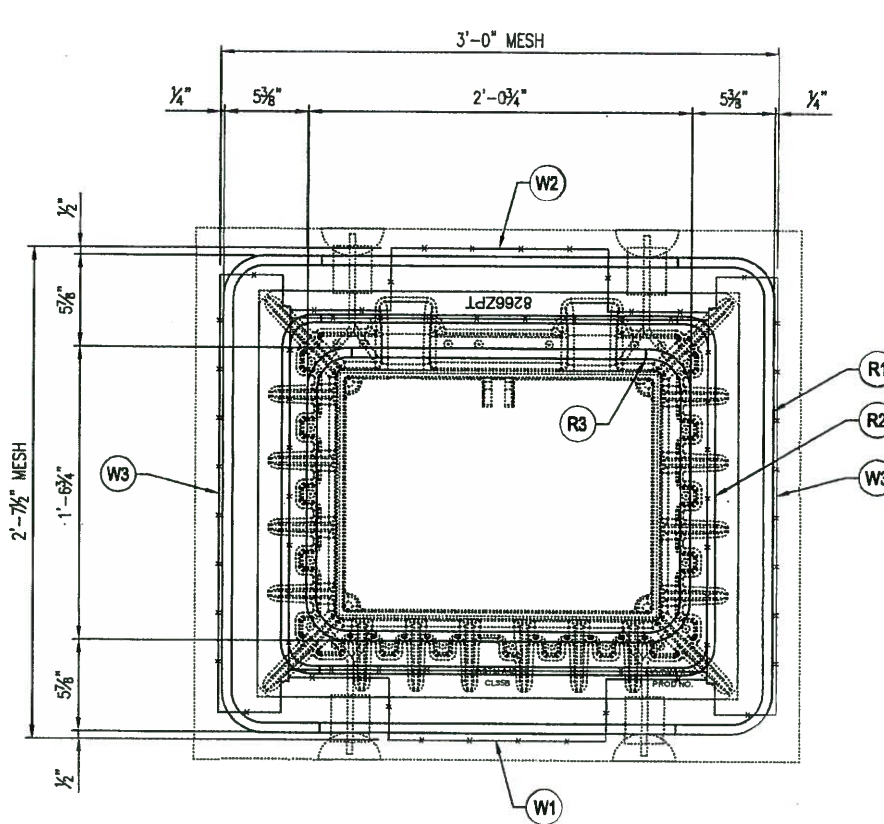
TYPE 4 HEAVY DUTY JUNCTION BOX

LAYOUT DESIGN
OLDCASTLE TYPE 4 HH TESTING
AUBURN, WA

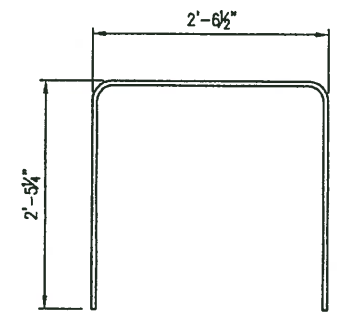
CUSTOMER:
OLDCASTLE PRECAST - AUBURN

DATE	SALES	DRAWN	ENGINEER	CHECKED	SALES ORDER
12/15/15	JC	CAS			S131633
DRAWING NUMBER					SHEET
010-S131633-001					1 OF 2
REVISION					REV DATE

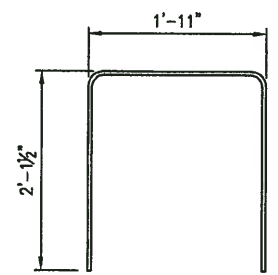
REVISION	DESCRIPTION	BY



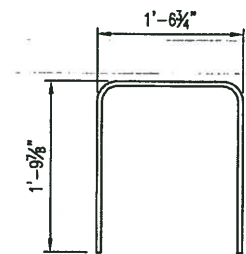
PLAN VIEW
REINFORCEMENT (SHOWN AS POURED)



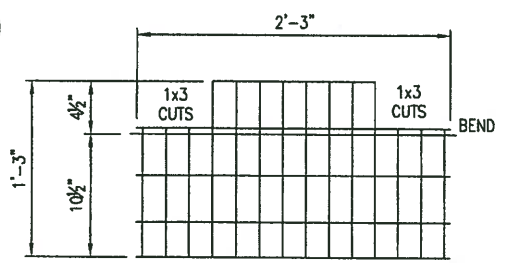
R1 DETAIL



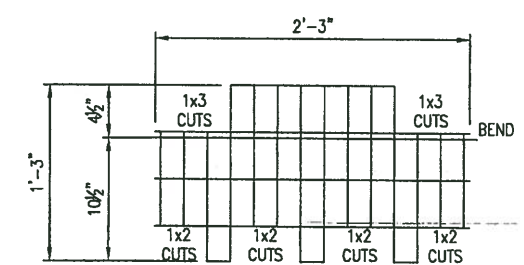
R2 DETAIL



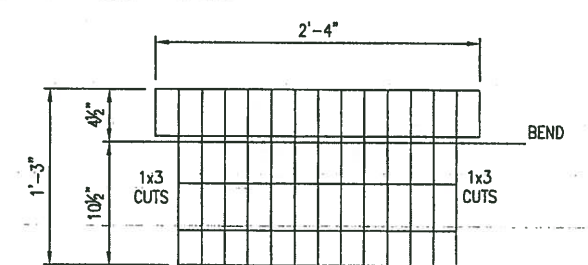
R3 DETAIL



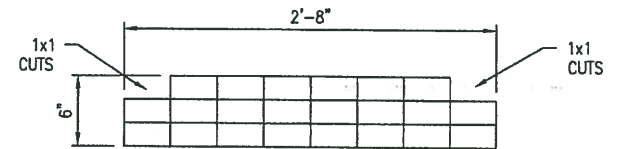
W1 DETAIL



W2 DETAIL



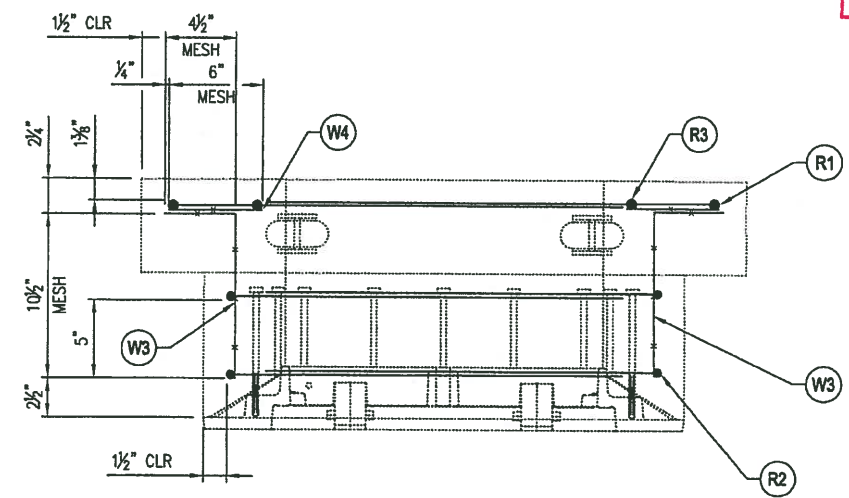
W3 DETAIL



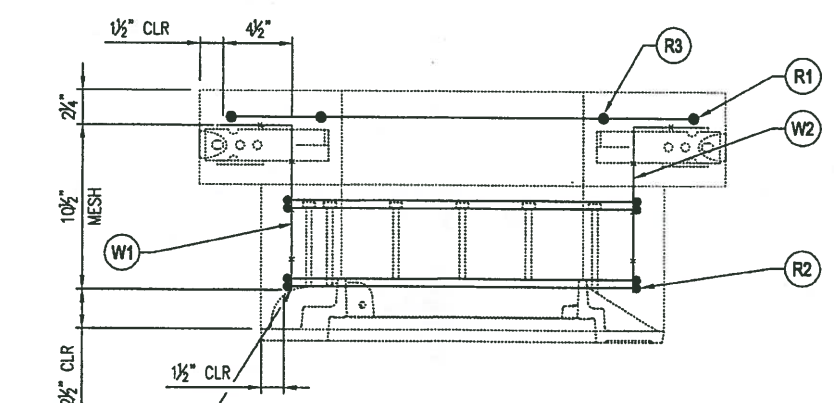
W4 DETAIL

APPROVED
Washington State
Department of Transportation
HQ Traffic Operations Office
DATE April 18, 2016 TAT

REINFORCEMENT CUT LIST				
#	QTY	MATERIAL	LENGTH	SHAPE
R1	2	#5 REBAR A706/GR60	7'-1.5"	BENT
R2	4	#4 REBAR A706/GR60	5'-11"	BENT
R3	2	#5 REBAR A706/GR60	4'-11"	BENT
W1	1	MESH 4X2 - W2.9 X W2.9		BENT
W2	1	MESH 4X2 - W2.9 X W2.9		BENT
W3	2	MESH 4X2 - W2.9 X W2.9		BENT
W4	2	MESH 4X2 - W2.9 X W2.9		STR



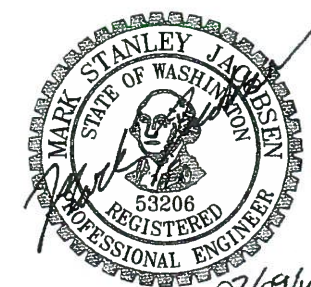
VIEW A



VIEW B

**STATE INSPECTION
REQUIRED**

ENGINEER'S SEAL:
SHOP DRAWINGS REVIEWED FOR
GENERAL COMPLIANCE TO THE INTENT
OF THE WSDOT STANDARD PLANS
J-40.20-02



THIS DOCUMENT IS THE PROPERTY OF OLDCASTLE PRECAST, INC. IT IS CONFIDENTIAL, SUBMITTED FOR REFERENCE PURPOSES ONLY, AND SHALL NOT BE USED IN ANY WAY INJURIOUS TO THE INTERESTS OF, OR WITHOUT THE WRITTEN PERMISSION OF OLDCASTLE PRECAST, INC. COPYRIGHT © 2015 OLDCASTLE PRECAST, INC. ALL RIGHTS RESERVED.

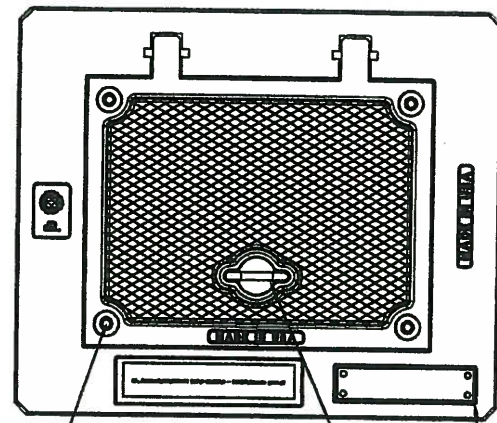
TYPE 4 HEAVY DUTY JUNCTION BOX					
REINFORCEMENT DESIGN					
OLDCASTLE TYPE 4 HH TESTING					
AUBURN, WA					
CUSTOMER					
OLDCASTLE PRECAST - AUBURN					
DATE	SALES	DRAWN	ENGINEER	CHECKED	SALES ORDER
12/15/15	JC	CAS			S131633
DRAWING NUMBER				REVISION	SHEET
010-S131633-001				REV DATE	2 OF 2

REVISION	DESCRIPTION	BY

8266APT 8266ZPT Assembly



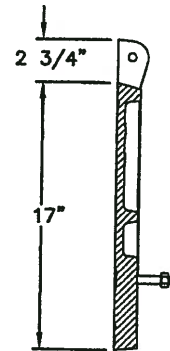
CHAMFERED CORNER
(4 PLCS.)



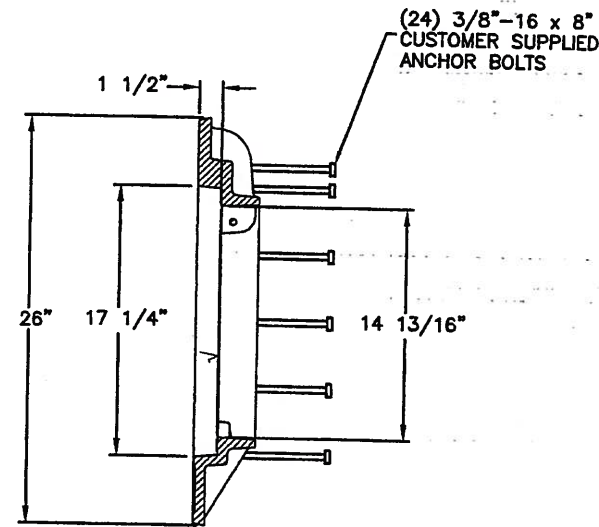
(4) 1/2"-13 X 1 3/4" PENT
HD. S.S. BOLTS WITH
(4) 1/2" ID 1 1/4" OD
STAINLESS STEEL WASHERS

DROP HANDLE

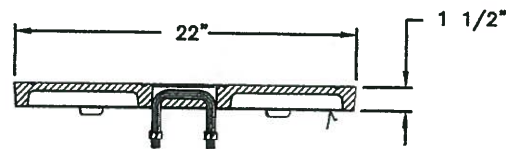
CUSTOMER NAME PLATE
1/4"-20 DRILL AND TAP 1/2" DP
ON DRILL DIMPLES (4 PLCS.)



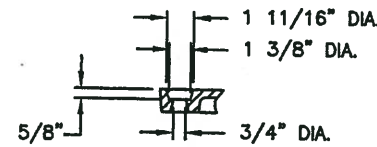
SECTION OF COVER



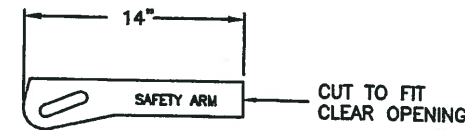
SECTION OF FRAME



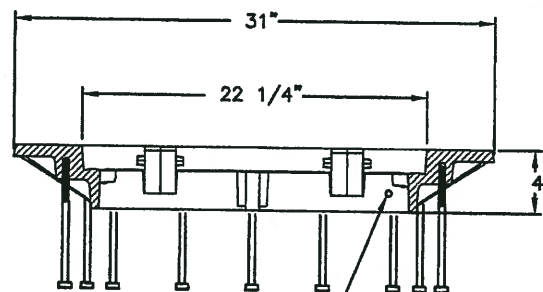
SECTION OF COVERS



BOLTHOLE DETAIL

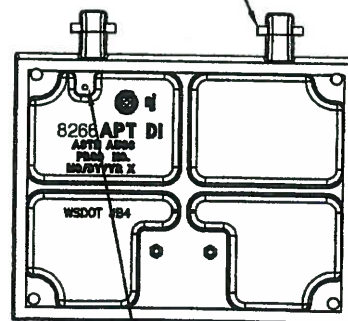


SAFETY BAR DETAIL



SECTION OF FRAME

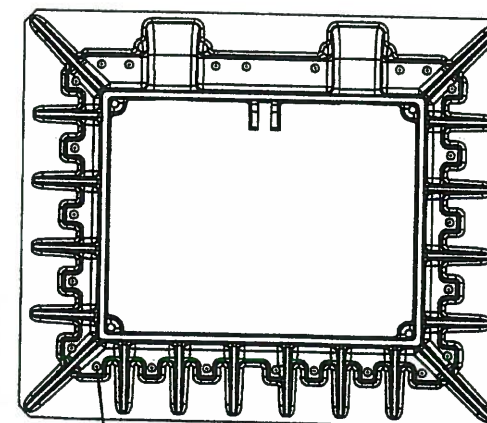
1/2" DIA. x 2-7/8" SS HINGE
PIN (2 PLCS.) (CAST IN PLACE)



BOTTOM VIEW OF COVER

5/16"-18 DRILL AND TAP THRU
FOR CUSTOMER SUPPLIED BOLT

5/16"-18 DRILL AND TAP 1" DP
FOR CUSTOMER SUPPLIED BOLT



3/8"-16 DRILL AND TAP 1-1/4" DP
ON DRILL DIMPLES (24 PLCS.) FOR
CUSTOMER PURCHASED ANCHOR BOLTS

BOTTOM VIEW OF FRAME

Product Number
00826621B01

Design Features

- Materials
Hatch Cover
Ductile Iron (80-55-06)
Hatch Frame
Gray Iron (CL35B)

- Design Load
Heavy Duty
- Open Area
n/a
- Coating
Undipped
- ✓ Designates Machined Surface

Certification

- ASTM A536
- ASTM A48
- Country of Origin: USA

Major Components

00826621
00826611

Drawing Revision

6/25/2013 Designer: DEF
6/12/2014 Revised By: DEF

Disclaimer

Weights (lbs./kg) dimensions (inches/mm) and drawings provided for your guidance. We reserve the right to modify specifications without prior notice.

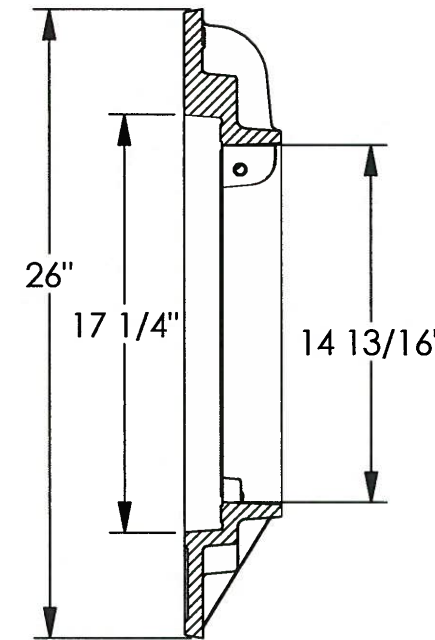
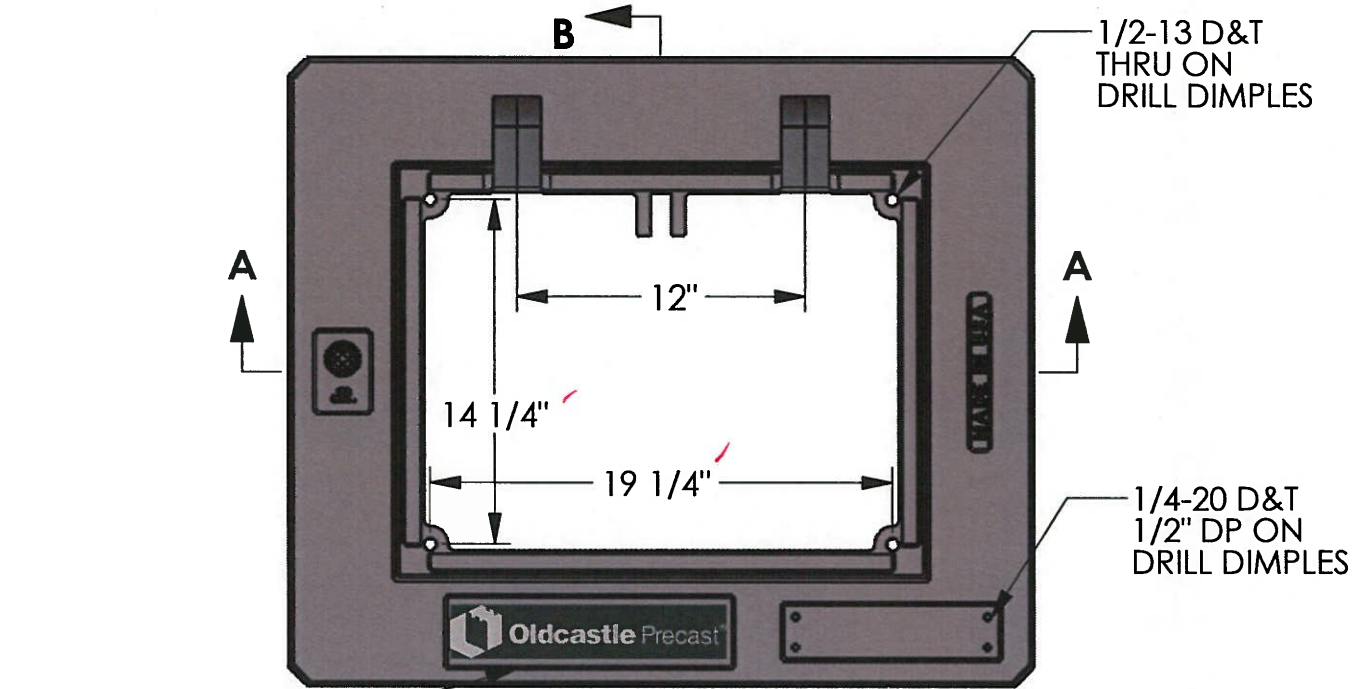
CONFIDENTIAL: This drawing is the property of EJ GROUP, Inc., and embodies confidential information registered marks, patents, trade secret information, and/or know how that is the property of EJ GROUP, Inc. Copyright © 2012 EJ GROUP, Inc. All rights reserved.

Contact

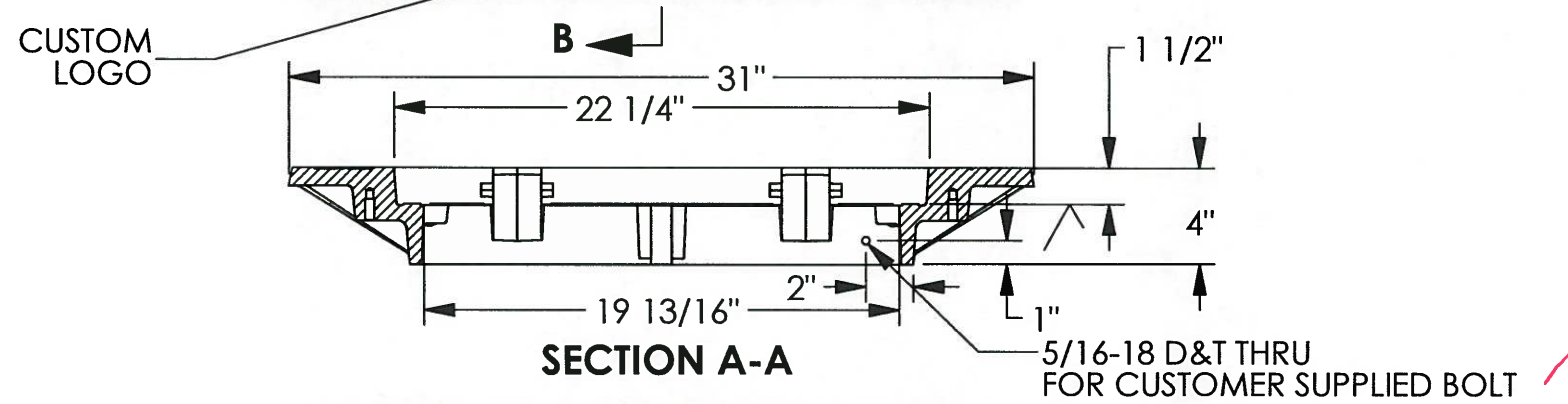
800 626 4653
ejco.com

APPROVED
 Washington State
 Department of Transportation
 HQ Traffic Operations Office
 DATE: April 18, 2016 TAT

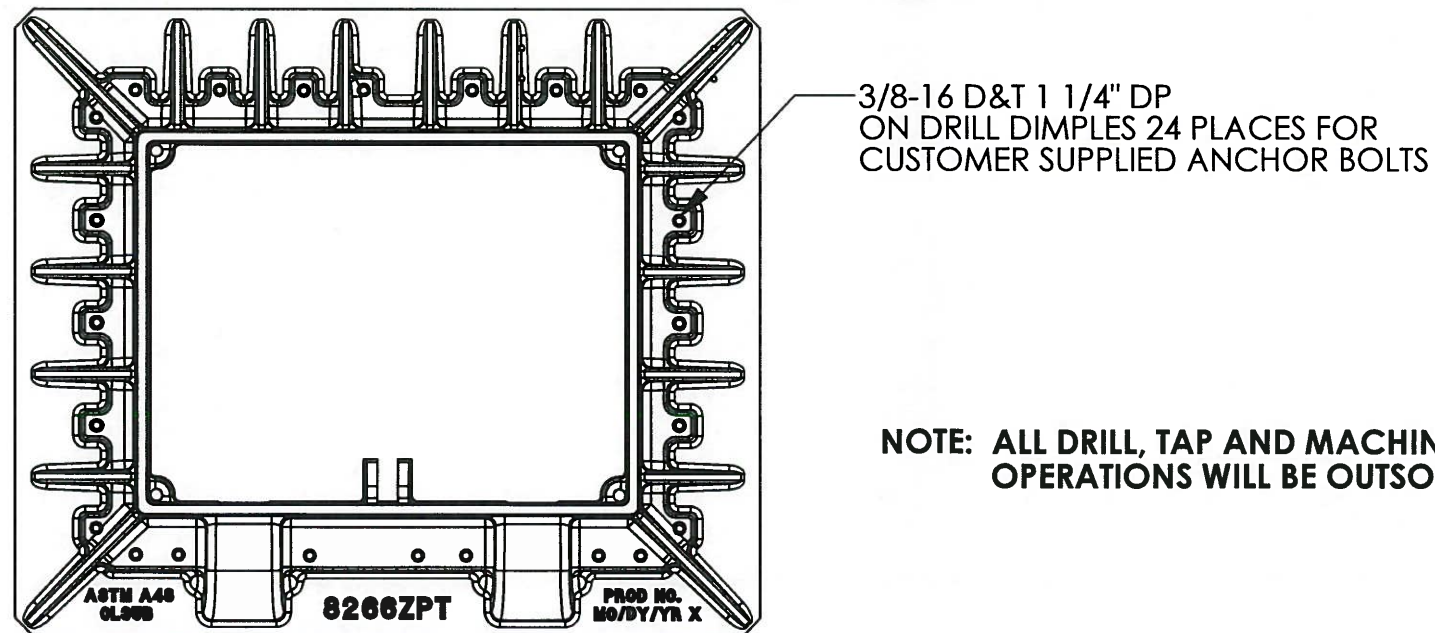
8266ZPT Hatch Frame



SECTION B-B



SECTION A-A



BOTTOM VIEW

NOTE: ALL DRILL, TAP AND MACHINE OPERATIONS WILL BE OUTSOURCED

Product Number
00826611

Design Features

- Materials
Gray Iron (CL35B)
- Design Load
Heavy Duty
- Open Area
n/a
- Coating
Undipped
- √ Designates Machined Surface

Certification

- ASTM A48
-
- Country of Origin: USA

Drawing Revision

11/12/2013 Designer: DEF
06/10/2015 Revised By: SBB

Disclaimer

Weights (lbs/kg), dimensions (inches/mm) and drawings provided for your guidance. We reserve the right to modify specifications without prior notice.

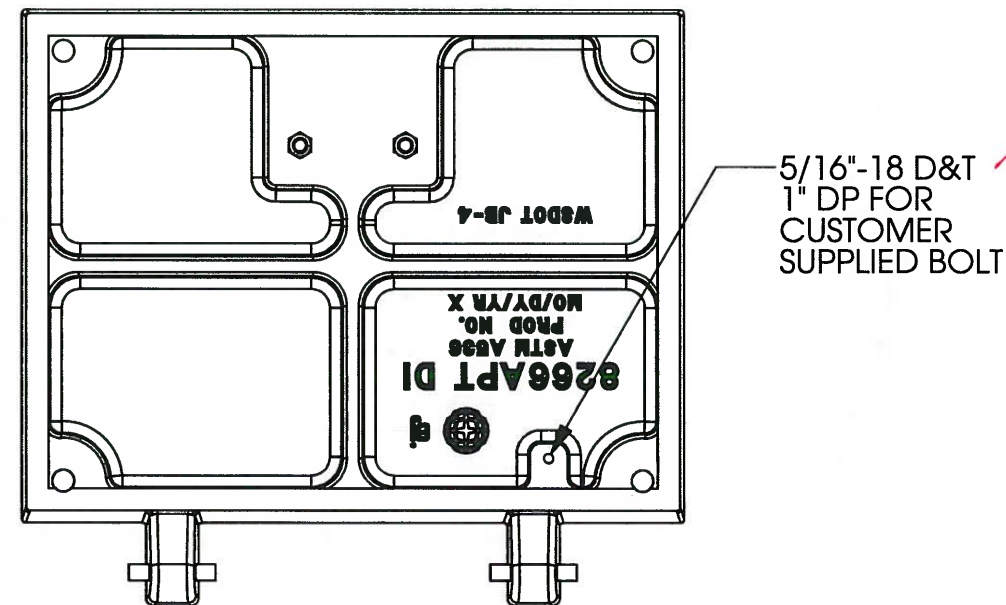
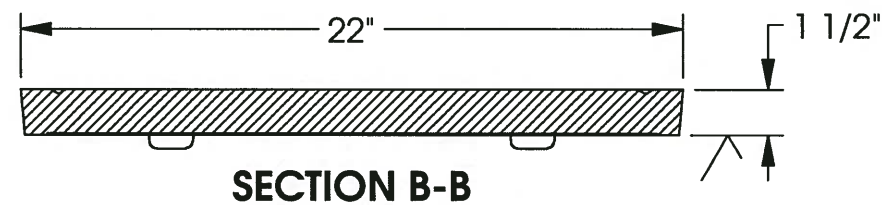
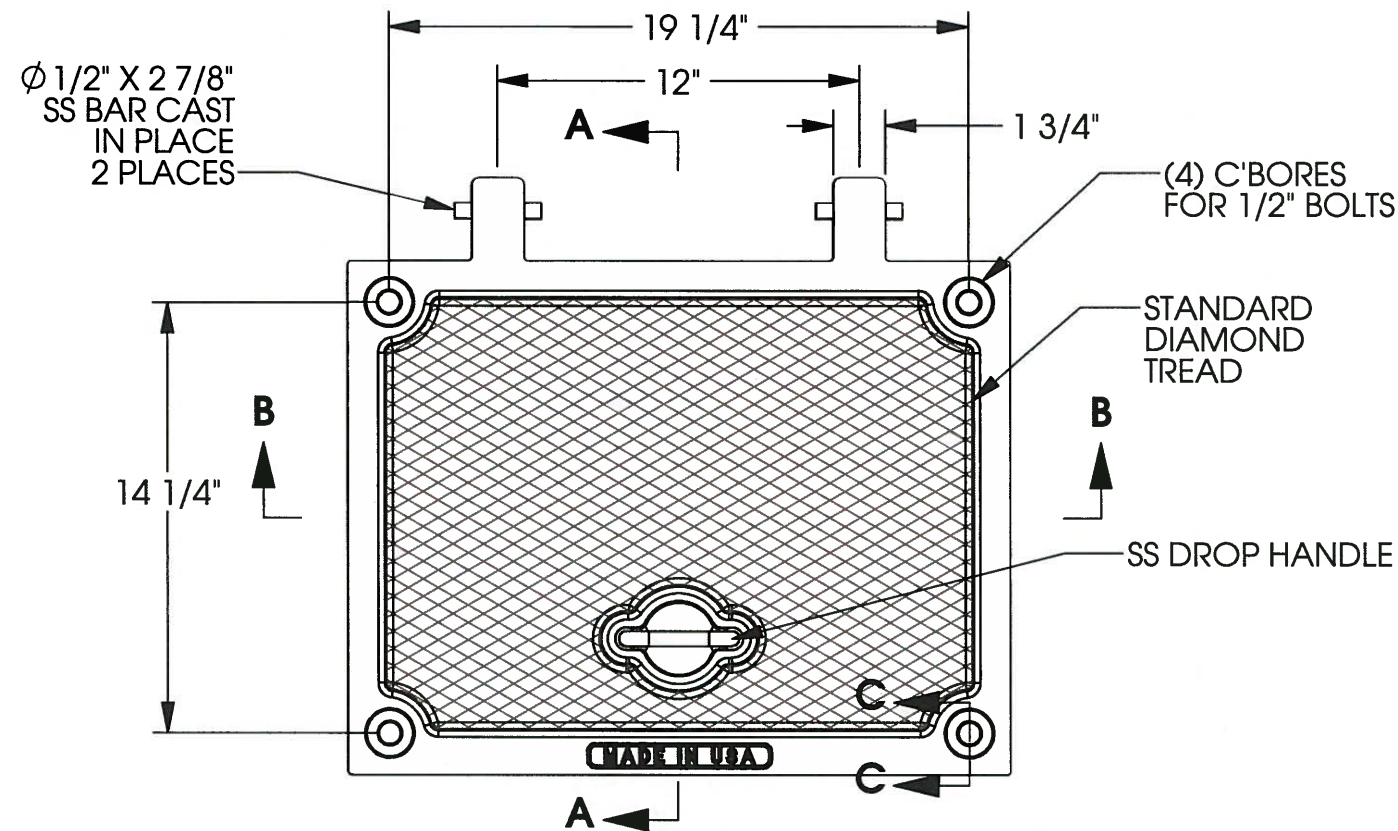
CONFIDENTIAL: This drawing is the property of EJ Group, Inc. and embodies confidential information, registered marks, patents, trade secret information, and/or know how that is the property of EJ Group, Inc. Copyright © 2013 EJ Group, Inc. All rights reserved.

Contact

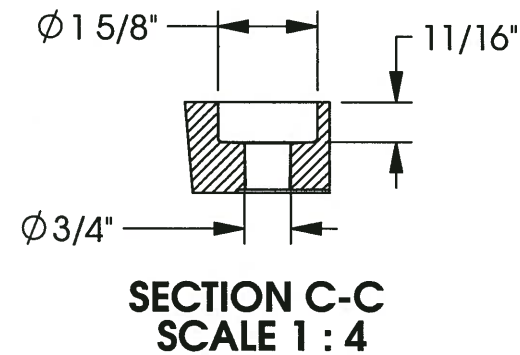
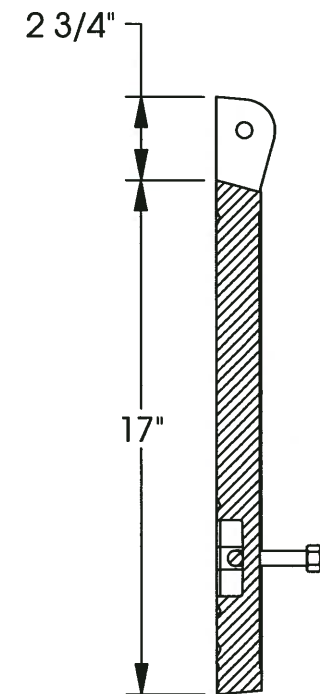
800 626 4653
ejco.com

APPROVED
 Washington State
 Department of Transportation
 HQ Traffic Operations Office
 DATE April 18, 2016 TPT

8266APT Hatch Cover



BOTTOM VIEW



***NOTE: DEBURR ALL SHARP EDGES FOR SAFETY**

Product Number
00826621

Design Features

- Materials
Ductile Iron (80-55-06)
- Design Load
Heavy Duty
- Open Area
n/a
- Coating
Undipped
- √ Designates Machined Surface

Certification

- ASTM A536
-
- Country of Origin: USA

Drawing Revision

11/17/2013 Designer: DEF
Revised By:

Disclaimer

Weights (lbs/kg), dimensions (inches/mm) and drawings provided for your guidance. We reserve the right to modify specifications without prior notice.

CONFIDENTIAL: This drawing is the property of EJ Group, Inc. and embodies confidential information, registered marks, patents, trade secret information, and/or know how that is the property of EJ Group, Inc. Copyright © 2013 EJ Group, Inc. All rights reserved.

Contact

800 626 4653
ejco.com

APPROVED
 Washington State
 Department of Transportation
 HQ Traffic Operations Office
 DATE: April 18, 2016 TAT