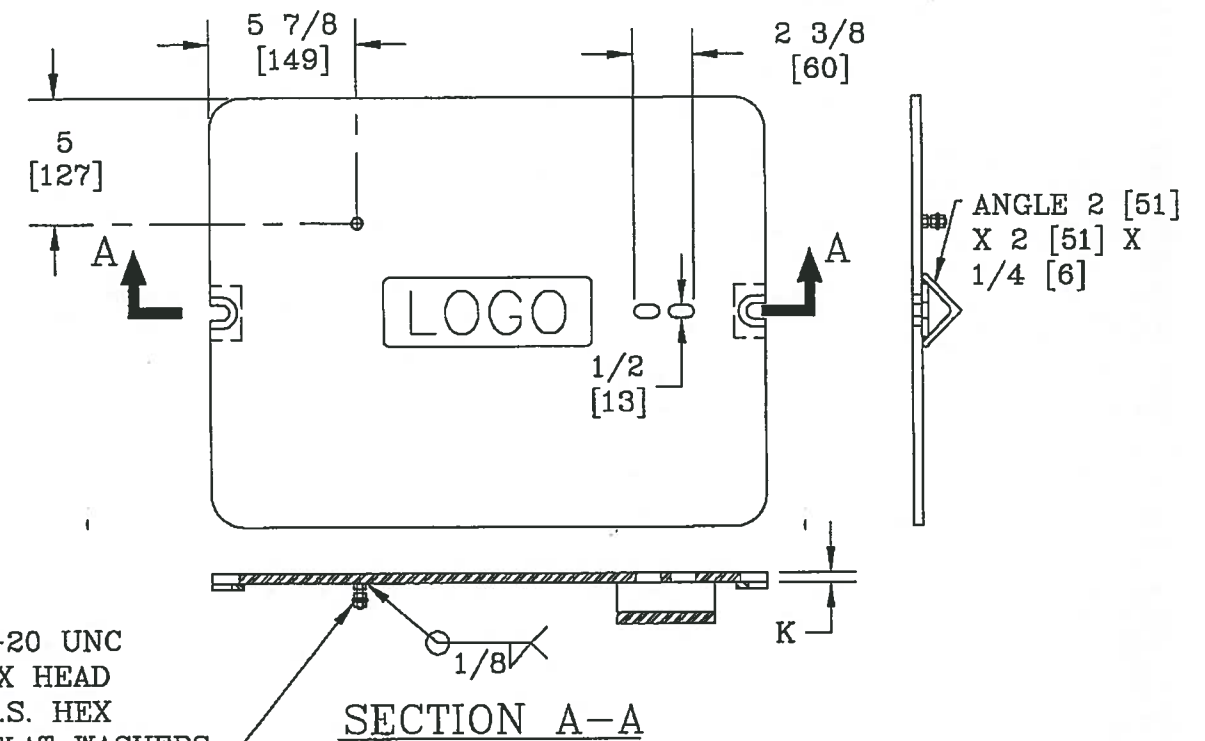


2X 3/8-7 X 2 [51] LONG
S.S. PENTA HEAD AUGER
GRADE 2 BOLT

ø3/8 [10] S.S.
FLAT WASHER

STENCIL ON THE BOTTOM OF THE
COVER THE YEAR OF MANUFACTURE
ON A 1/8 [3] X 1 [25] STAINLESS
STEEL WELD BEAD.

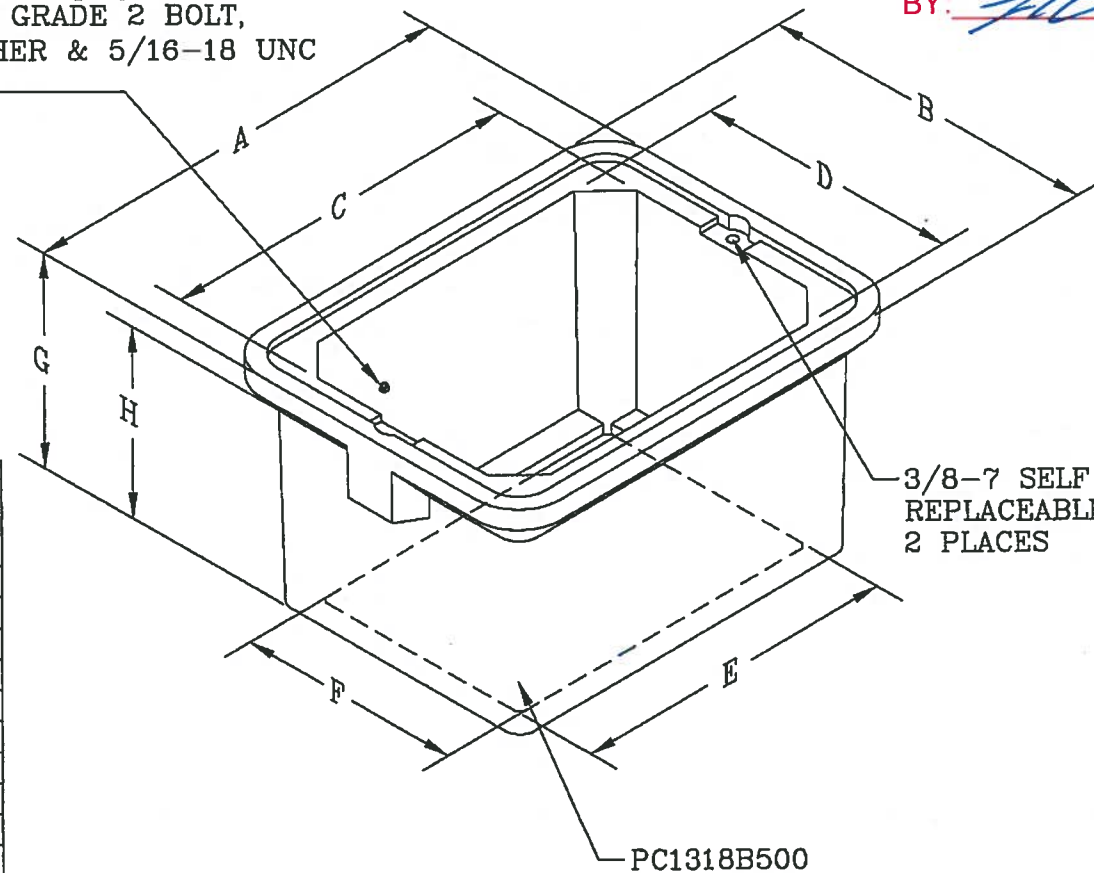
GROUNDING STUD: 1/4-20 UNC
X 1 [25] LONG S.S. HEX HEAD
BOLT W/ (2) 1/4-20 S.S. HEX
NUTS & (2) ø1/4 [6] FLAT WASHERS



GROUNDING LOCATION
(5/16-18 UNC X 2 [51] LONG
S.S. HEX HEAD GRADE 2 BOLT,
ø5/16 [8] WASHER & 5/16-18 UNC
HEX NUT)

*LOGO CHART	
LOGO CODE	TEXT
U13	COMM
U23	ITS
U33	LT
U43	TS
U53	TEL

JUNCTION BOX DIMENSION TABLE		
MARK	ITEM	BOX TYPE 1
A	OUTSIDE LENGTH OF JUNCTION BOX	24
B	OUTSIDE WIDTH OF JUNCTION BOX	19
C	INSIDE LENGTH AT TOP OF BOX	20 7/16
D	INSIDE WIDTH AT TOP OF BOX	15 7/16
E	INSIDE LENGTH AT FOOT	18
F	INSIDE WIDTH AT FOOT	13
G	OVERALL HEIGHT OF BOX	12
H	HEIGHT OF BOX TO COVER LEDGE	11 5/8
I	COVER LENGTH	22 1/4
J	COVER WIDTH	17
K	COVER DEPTH	3/8



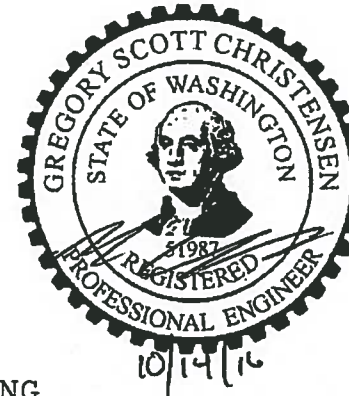
APPROVED

Washington State Department of Transportation
HQ Traffic Operations Office
BY: [Signature] DATE: 5/11/2017

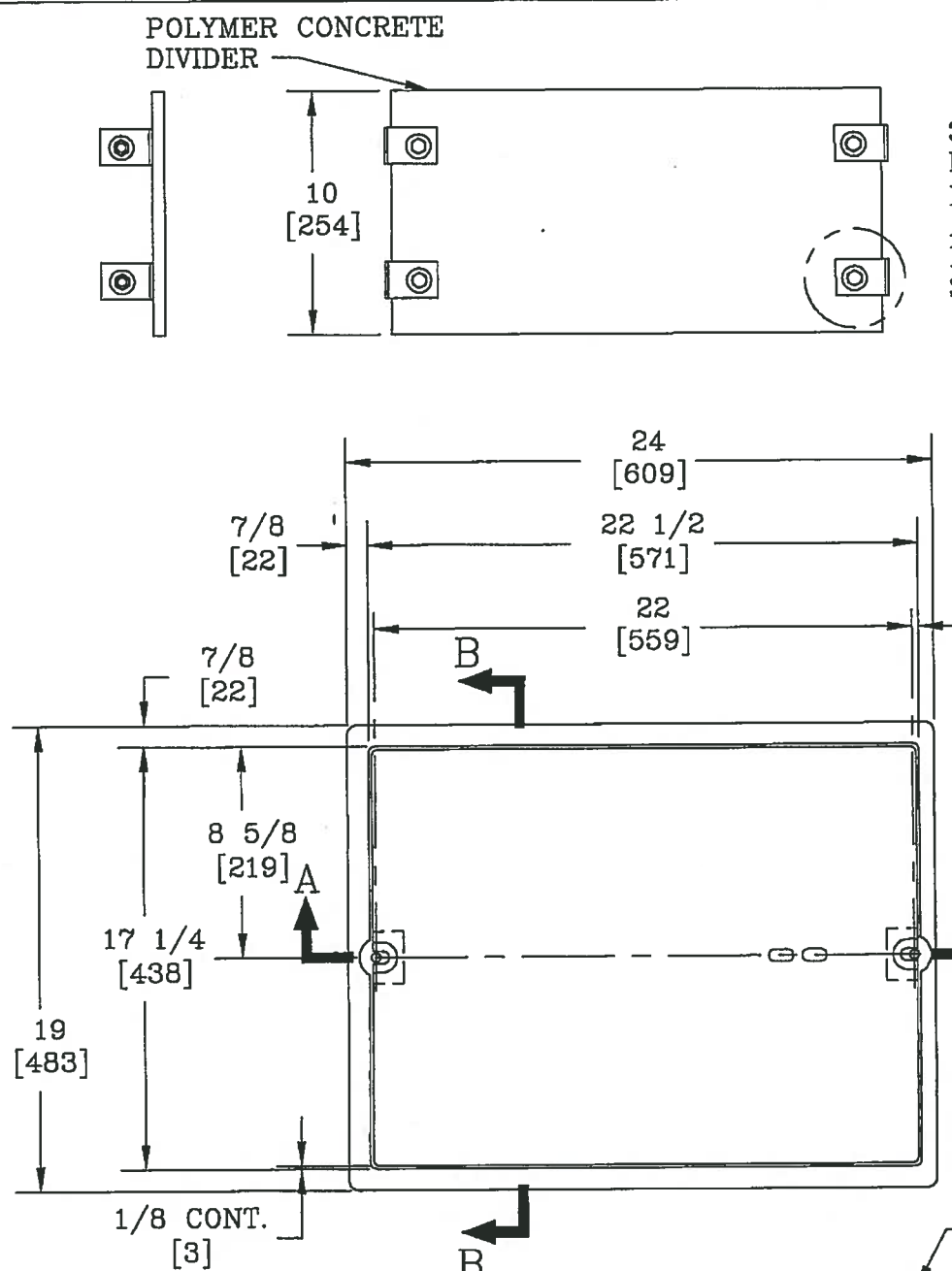
CUSTOMER APPROVAL
APPROVED BY: _____
DATE: _____

NOTES:

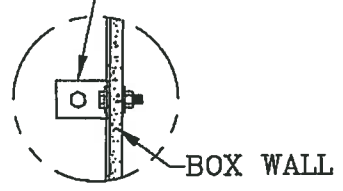
- CUSTOMER IS WSDOT.
- BOX AND COVER WILL MEET ALL TEST PROVISIONS OF THE ANSI/SCTE 77 TIER 15 LOADING REQUIREMENT.
- THE COVER MATERIAL WILL MEET ASTM A36 & ASTM A786 REQUIREMENTS. DIAMOND PLATE COVER WILL BE PAINTED BLACK.
- INTERIOR BOX VOLUME IS 3,462 in³.
- 3/8-7 AUGER BOLTS MEET THE REQUIREMENT FOR ASTM F 593.
- ALL HARDWARE IS 18-8 STAINLESS STEEL.



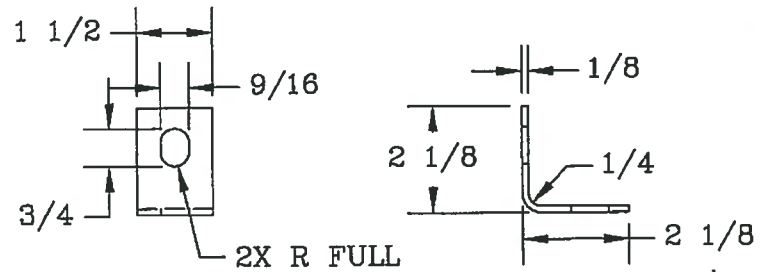
DIMENSIONS ARE IN INCHES OR MILLIMETERS IN BRACKETS UNLESS OTHERWISE NOTED.						
DRN	BY	DATE	WEIGHT		3621 INDUSTRIAL PARK DR LENOIR CITY, TN 37771 800-346-3062 www.quazite.com	LOC
			103# 47kg			LC
CHK	M&F	9/24/12	SCALE	DRAWING DESCRIPTION QUAZITE® 13 X 18 X 12 BOX & COVER ASSEMBLY	www.quazite.com	S
ENG			N.T.S.			REV
APR			SIZE			L
APR			B			9/18
PROJECT NUMBER			DRAWING NUMBER			
106956			PC1318Z501-1			
SHEET 1 OF 2						



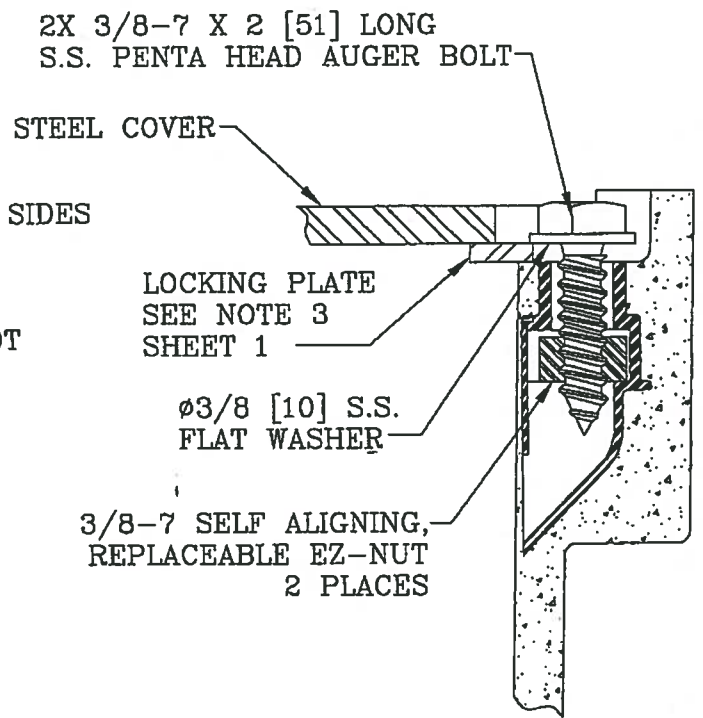
3/8-16 UNC X 1 1/2 [38]
LONG S.S. GRADE 2 HEX HEAD
BOLT, 3/8-16 UNC HEX NUT, &
ASTM A36 GALVANIZED STEEL
L-BRACKET BOLTED TO THE
SIDE OF WALL OF BOX



L-BRACKET DETAIL
SCALE: HALF

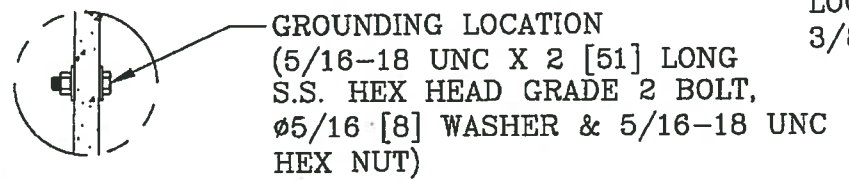


SLOT DETAIL
NTS



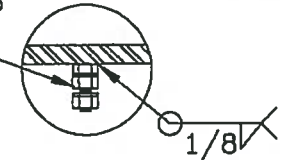
BOLT DOWN DETAIL
NTS

APPROVED
Washington State
Department of Transportation
HQ Traffic Operations Office
BY: *[Signature]*
DATE: 5/11/2017

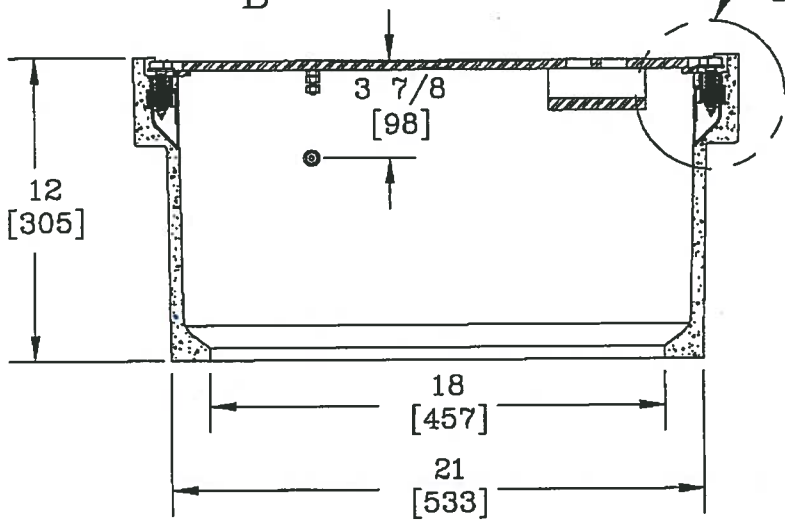


GROUNDING BOLT DETAIL
NTS

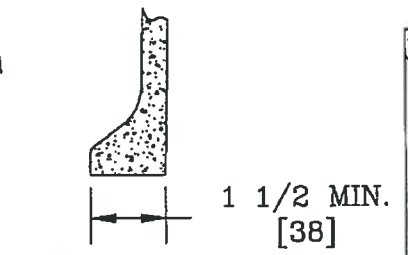
GROUNDING STUD: 1/4-20 UNC X 3/4 [19] LONG S.S. HEX HEAD BOLT W/ (2) 1/4-20 S.S. HEX NUTS & (2) 1/4 [6] FLAT WASHERS



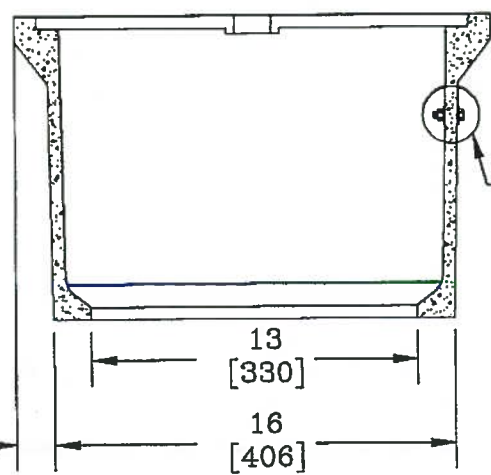
GROUNDING STUD DETAIL
NTS



SECTION A-A

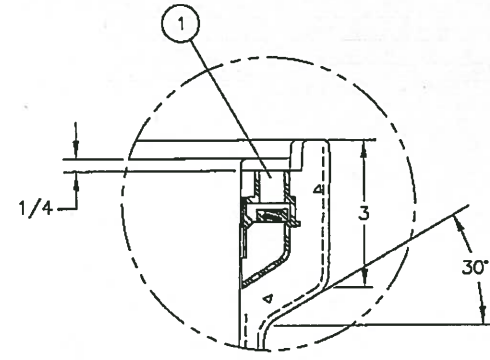
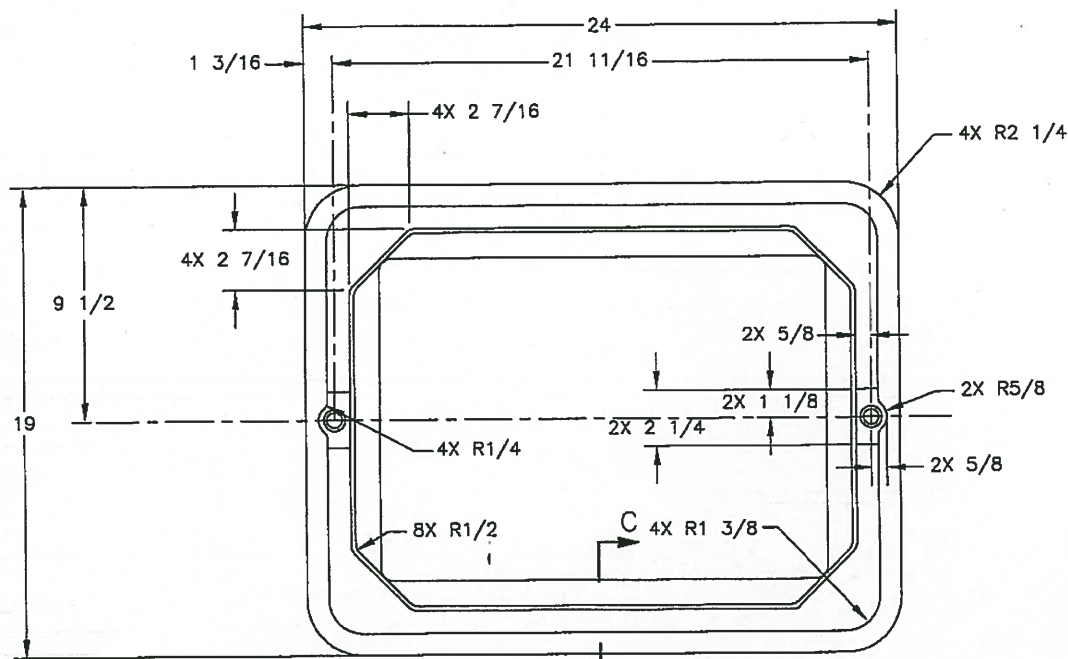


FOOT DETAIL
SCALE: HALF

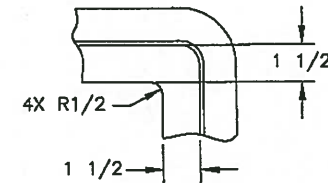
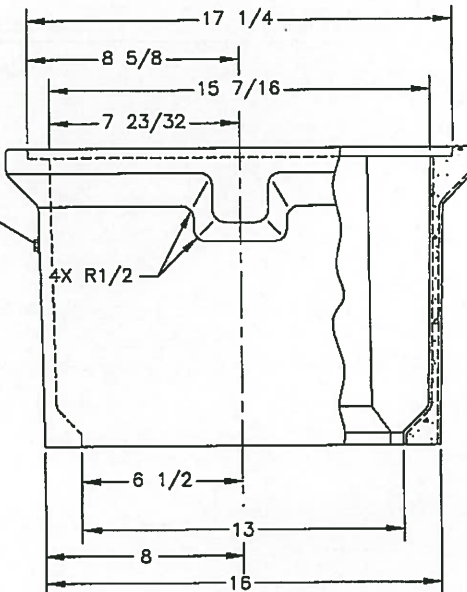
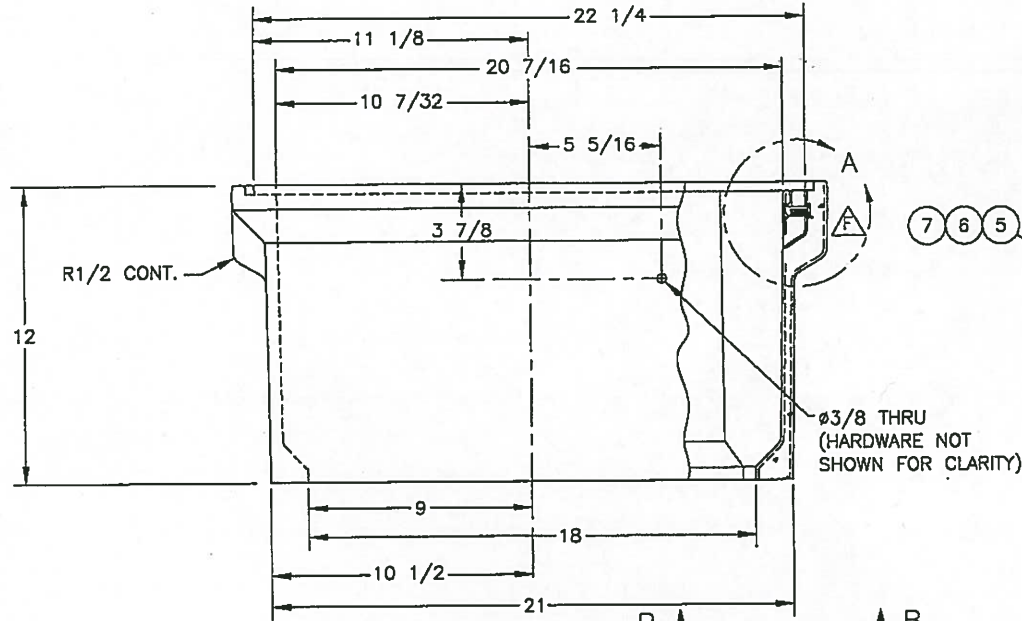


SECTION B-B

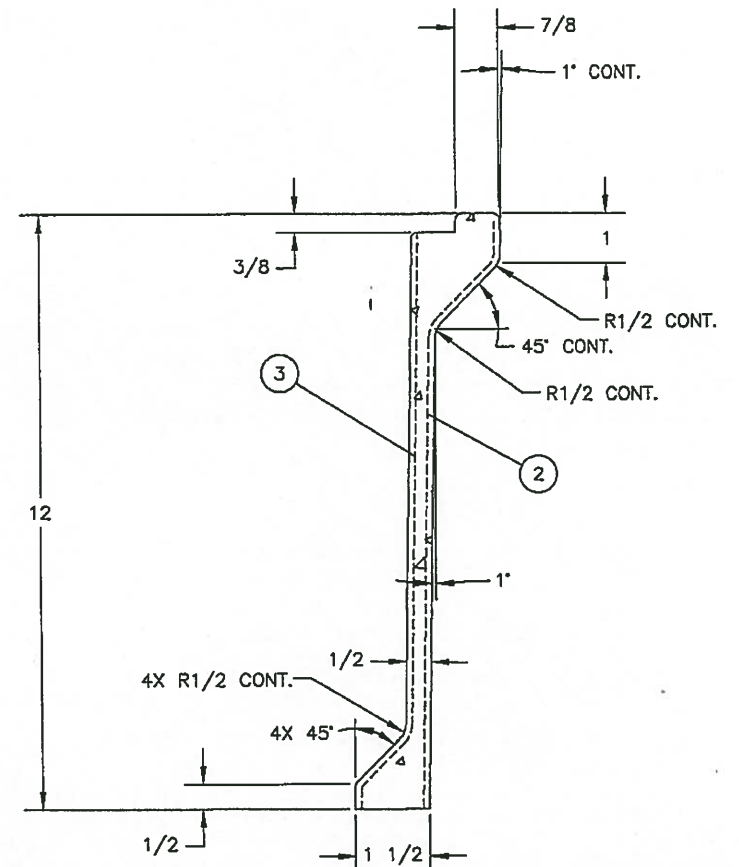
DIMENSIONS ARE IN INCHES OR MILLIMETERS IN BRACKETS UNLESS OTHERWISE NOTED.					
DRN	BY	DATE	WEIGHT	 3621 INDUSTRIAL PARK DR LENOIR CITY, TN 37771 800-346-3062 www.quazite.com	LOC
CHK	M&P	10/17/11	103# 47kg		LC
ENG			SCALE		S
APR			NTS		REV
APR			SIZE		L
PROJECT NUMBER					9/18
104334					
SHEET 2 OF 2				DRAWING NUMBER	
				PC1318Z501-2	



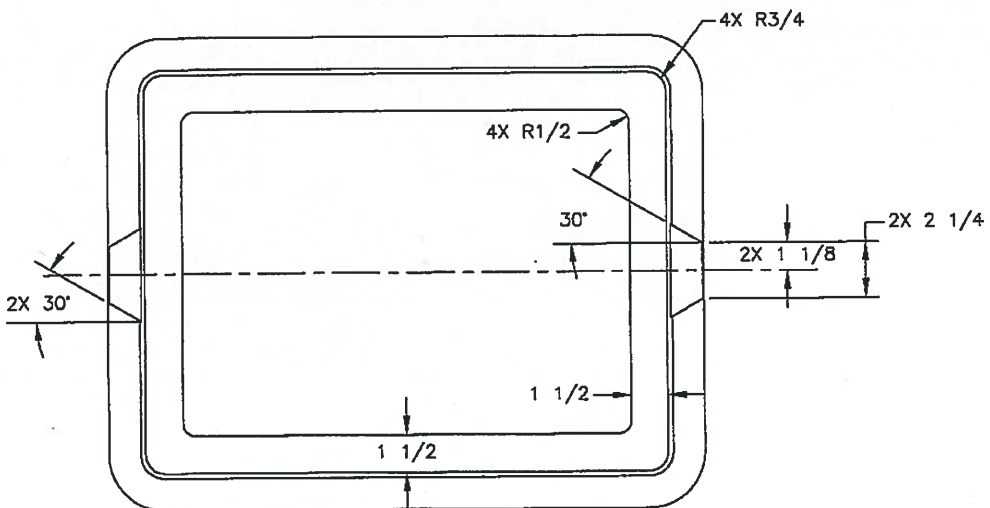
DETAIL A
SCALE: HALF
2 PLACES



VIEW B-B
SCALE: FULL
4 PLACES



SECTION C-C
SCALE: HALF



ITEM NO.	CAT.	PART NUMBER	DESCRIPTION	QUANTITY	UOM
1	L	C080412	INSERT EZ-NUT 3/8-7 LAG ASSY (FULL)	2.00	EA
2	L	C092260	FG 6 BA 78.00 X 12.00	1.00	EA
3	L	C092275	FG 6 BA 69.00 X 12.00	1.00	EA
4	L	C099200	MIX-UT BOX 15.5 PCT RESIN	60.00	LB
5	L	C082246	BOLT SS 5/16-18 X 2 HEX	1.00	EA
6	L	C082341	NUT SS 5/16-18 UNC HEX	1.00	EA
7	L	C080270	WASHER SS 5/16ID X 3/4OD FLAT	1.00	EA

APPROVED AS NOTED
Washington State Department of Transportation
HQ Traffic Operations Office
BY: *[Signature]* DATE: 2/5/2018

**NOTE: BOX PART NUMBER STAMP WILL READ:
PC1318B500A**



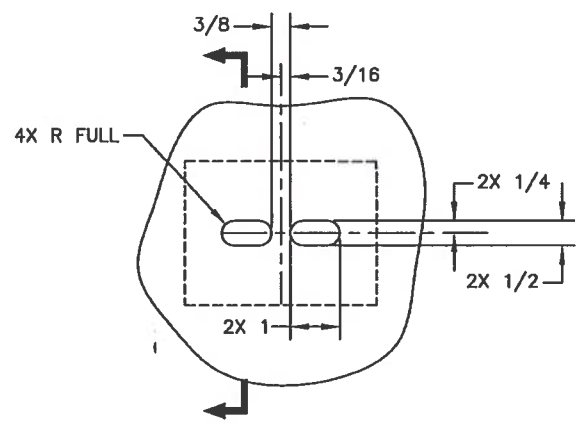
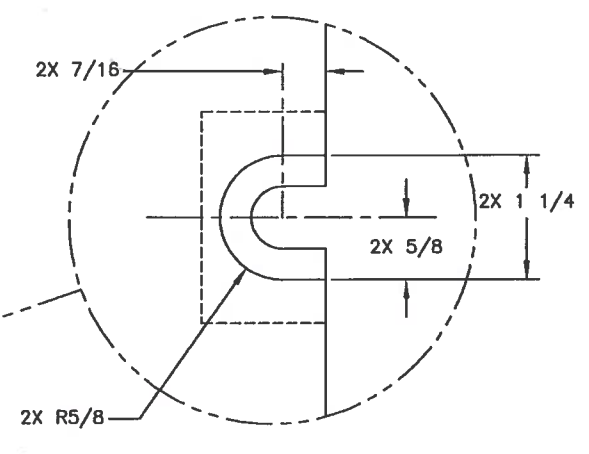
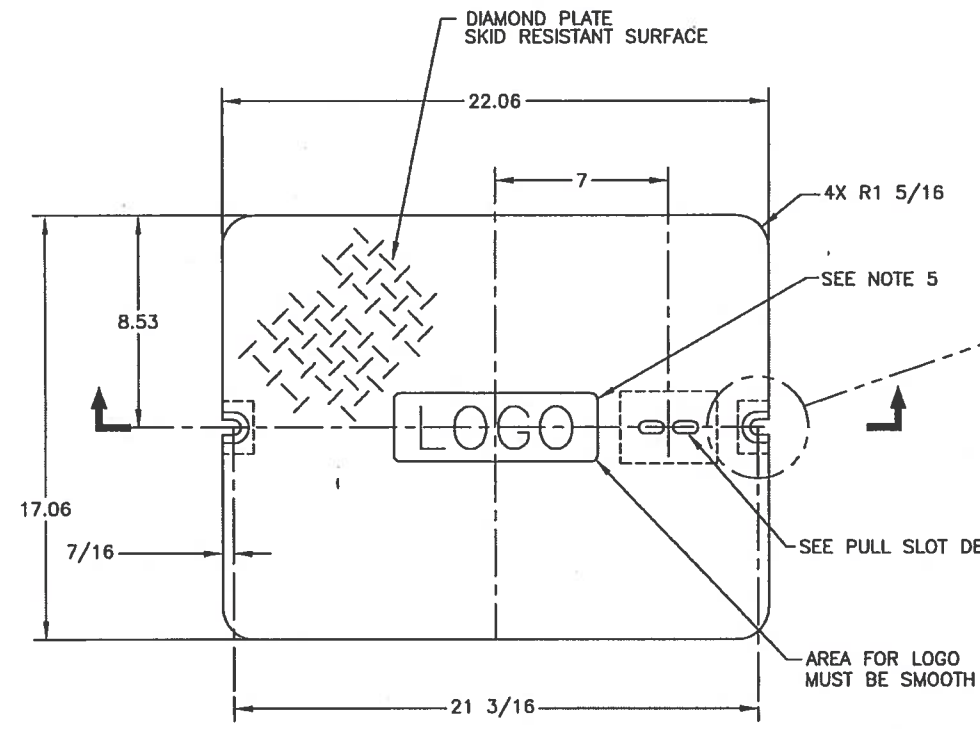
- NOTES:
1. ALL FILLETS AND RADII TO BE 1/8 UNLESS OTHERWISE SPECIFIED.
 2. FOR EZ-NUT RETAINER TOOLING SEE CT96108-2
 3. RATED FOR TIER 15 APPLICATIONS.

APPROVED

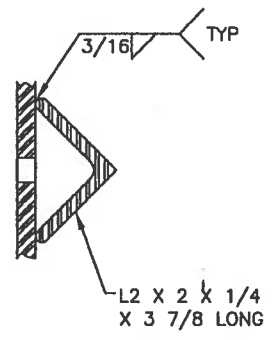
1. MAINT. _____
2. PROD. _____
3. QUALITY _____

STANDARD TOLERANCES		HUMBER		3621 INDUSTRIAL PARK DR LENOIR CITY, TN 37771 800-346-3082 www.quazite.com	
ALL DIMENSIONS ARE IN INCHES UNLESS OTHERWISE SPECIFIED					
.000.....	±.100	BY	DATE	WEIGHT	DRAWING DESCRIPTION
.000.....	±.050	DRN	23	1/22/18	QUAZITE® BOX
.000.....	±.010	CHK			
FRACTIONAL.....	±1/16	ENG			
ANGULAR.....	±.5°	APPR			
PROPRIETARY INFORMATION					
THIS DRAWING DISCLOSES PROPRIETARY AND CONFIDENTIAL INFORMATION, AND IS LOANED BY MODEL WITH THE UNDERSTANDING THAT IT WILL NOT BE DISCLOSED IN PART OR WHOLE, AND/OR BE USED FOR ANY PURPOSE OTHER THAN MANUFACTURE, REPAIR OR INSTALLATION, UNLESS EXPRESSLY AUTHORIZED, AND THAT IT BE RETURNED ON DEMAND.					
PROJECT NUMBER		DRAWING NUMBER		SHEET	
104334		PC1318B500-2-1		1 of 1	

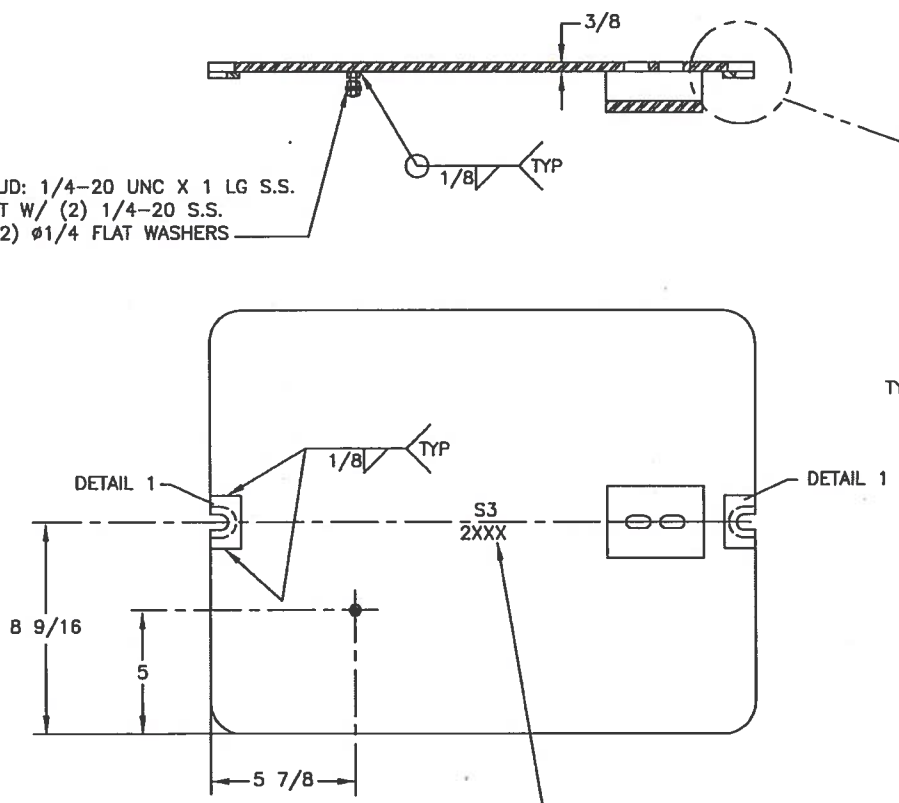
PART NUMBER	LOGO
PC1318S501U33	LT
PC1318S501U53	TEL
PC1318S501U23	ITS
PC1318S501U13	COMM
PC1318S501U43	TS



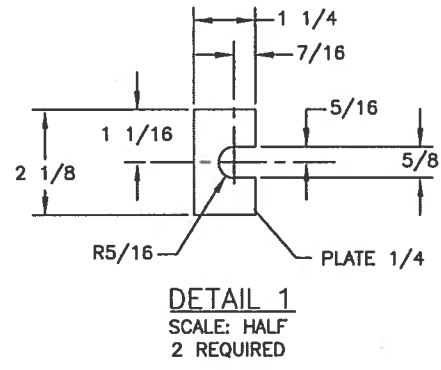
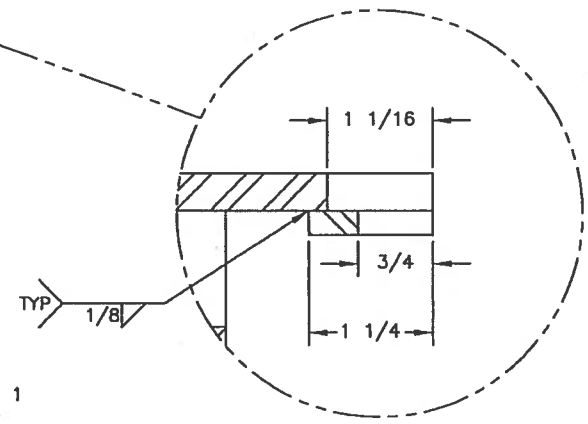
PULL SLOT DETAIL
SCALE: HALF



GROUNDING STUD: 1/4-20 UNC X 1 LG S.S.
HEX HEAD BOLT W/ (2) 1/4-20 S.S.
HEX NUTS & (2) #1/4 FLAT WASHERS



STENCIL THE YEAR OF MANUFACTURE AND S3 WITH 1/8" WELD BEAD



DETAIL 2
SCALE: HALF
2 REQUIRED



APPROVED
Washington State Department of Transportation
HQ Traffic Operations Office
BY: [Signature] DATE: 5/11/2017

- NOTES:
- ALL MATERIAL TO BE ASTM A36 OR EQUIVALENT
 - ALL WELD TO USE E-70 SERIES ELECTRODES; WELD PENETRATION NOT TO EXCEED 75% OF THINNER MATERIAL.
 - PAINTING:
3.1. DEBURR, CLEAN MILL SCALE & SLAG, AND DEGREASE
3.2. PAINT BLACK
 - THIS COVER IS RATED FOR A DESIGN LOAD OF 15,000 LBS.
 - LOGO TO BE 1" HIGH LETTERS USING 1/8" WELD BEAD.

APPROVED

1. MAINT. _____
2. PROD. _____
3. QUALITY _____

STANDARD TOLERANCES		HUBBELL		3621 INDUSTRIAL PARK DR LENOIR CITY, TN 37771 800-348-3082 www.quezite.com	
ALL DIMENSIONS ARE IN INCHES UNLESS OTHERWISE SPECIFIED					
.0.....	±.100	BY	DATE	WEIGHT	40#
.00.....	±.080	DRN	27	5/18/15	
.000.....	±.010	CHK	JLS	5/18/15	
FRACTIONAL.....	±1/16	ENO			
ANGULAR.....	±.5	APR			
PROPRIETARY INFORMATION					
THIS DRAWING INCLUDES PROPRIETARY AND CONFIDENTIAL INFORMATION, AND IS LOANED BY HUBBELL WITH THE UNDERSTANDING THAT IT WILL NOT BE REPRODUCED OR TRANSMITTED IN ANY FORM OR BY ANY MEANS, ELECTRONIC OR MECHANICAL, INCLUDING PHOTOCOPYING, RECORDING, OR BY ANY INFORMATION STORAGE AND RETRIEVAL SYSTEM, WITHOUT THE EXPRESS WRITTEN PERMISSION OF HUBBELL, UNLESS EXPRESSLY AUTHORIZED, AND THAT IT BE RETURNED ON DEMAND.					
PROJECT NUMBER		DRAWING DESCRIPTION		LOGO	
		QUAZITE [®] STEEL COVER		D	
SHEET 1 OF 1		DRAWING NUMBER		M/A	
		PC1318S501-2-1			