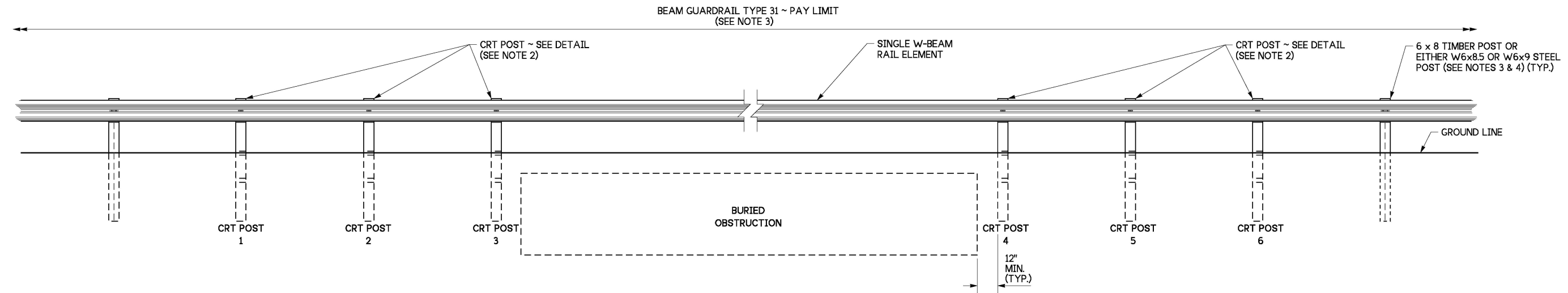
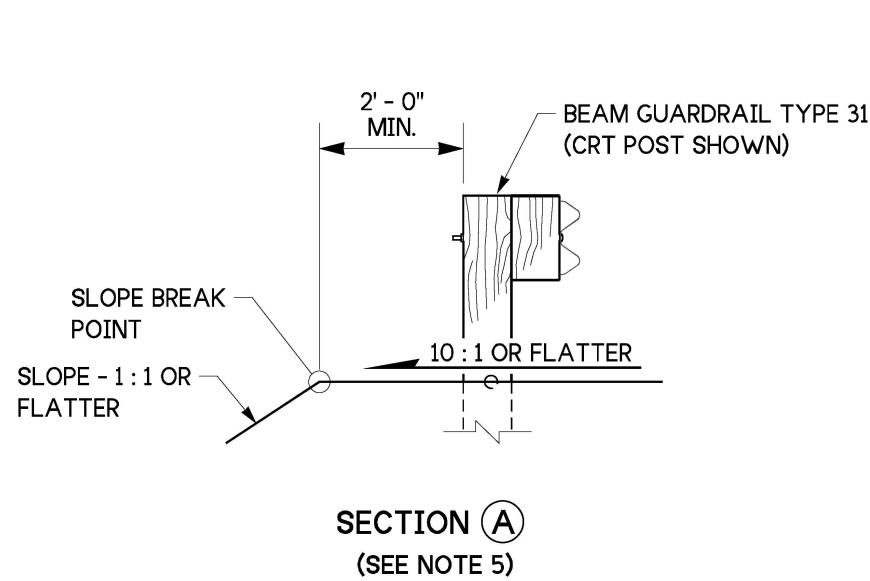


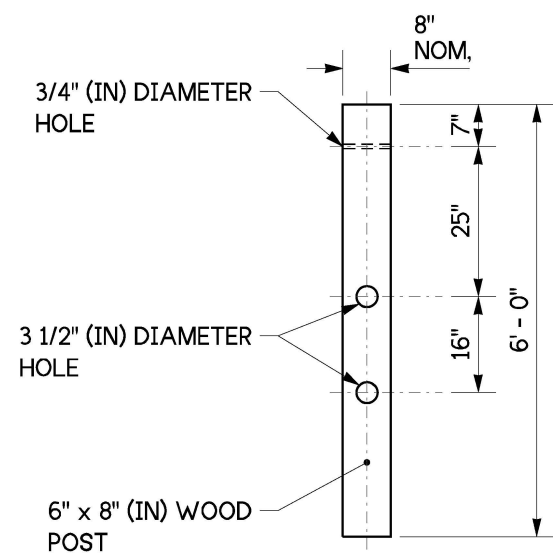
PLAN



ELEVATION



SECTION A
(SEE NOTE 5)



CONTROLLED RELEASING TERMINAL (CRT)
POST DETAIL

NOTES:

1. For additional details not shown on this plan, refer to Standard Plan C-20.10 and C-1b.
2. CRT post to be wood.
3. Install at least 62' - 6" (10 post spacings) of Type 31 guardrail upstream and downstream from CRT posts 1 and 6. Length includes terminals and anchors.
4. Install at least 62' - 6" (10 post spacings) of tangent Type 31 guardrail from CRT Posts 3 and 4 before starting a taper or radius rail guardrail.
5. Grading requirements for spans without headwalls must begin at least 43' - 9" (7 posts spacings) before CRT post 3, extend thru the obstruction area, and end at least 43' - 9" (7 post spacings) after CRT post 4.
6. Grading requirements for spans w/ headwalls must extend 43' - 9" (7 post spacings) minimum upstream and downstream from CRT posts 3 and 4.



Oct 12, 2023
**BEAM GUARDRAIL TYPE 31
 PLACEMENT 12' - 6", 18' - 9",
 OR 25' - 0" SPAN**
STANDARD PLAN C-20.40-10

SHEET 1 OF 2 SHEETS

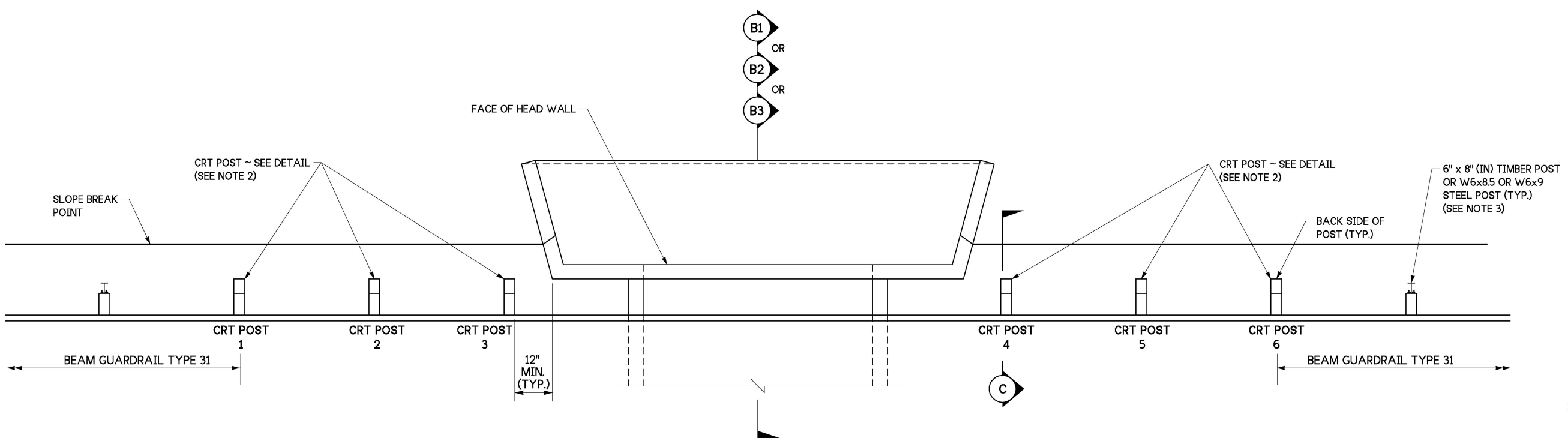
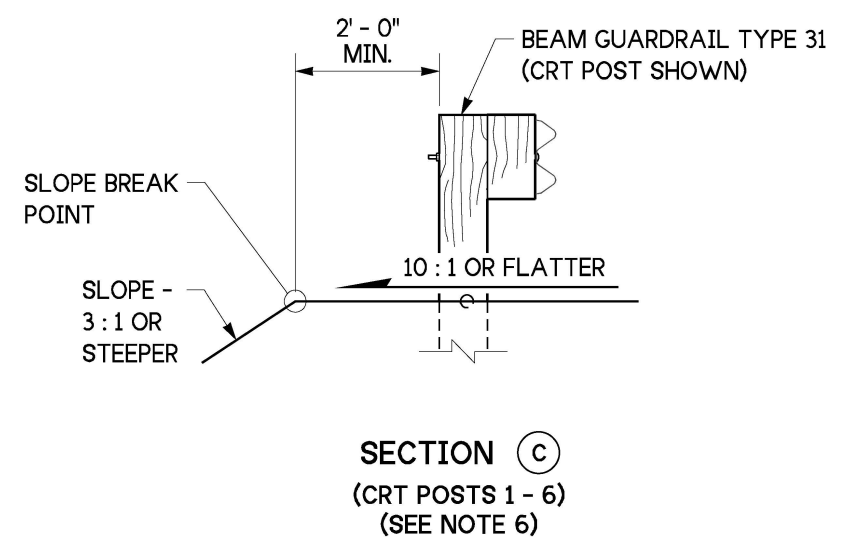
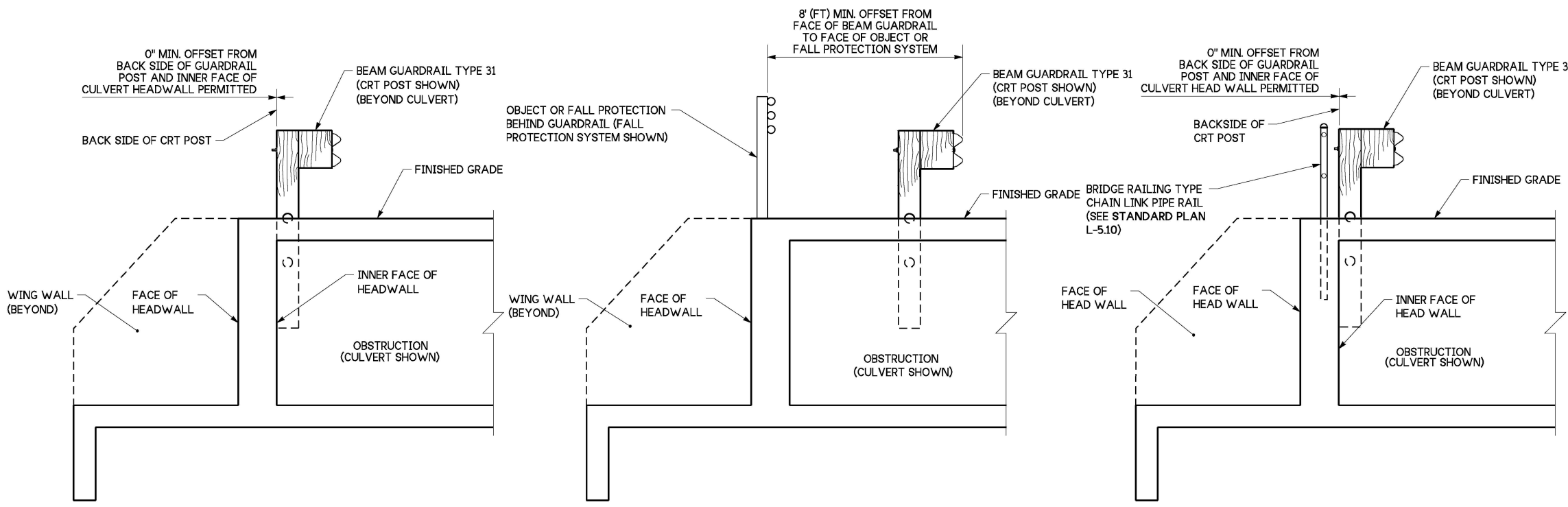
APPROVED FOR PUBLICATION

Mark A. Davis

Oct 12, 2023

STATE DESIGN ENGINEER





Oct 12, 2023
**BEAM GUARDRAIL TYPE 31
 PLACEMENT 12' - 6", 18' - 9",
 OR 25' - 0" SPAN
 STANDARD PLAN C-20.40-10**

SHEET 2 OF 2 SHEETS

APPROVED FOR PUBLICATION

Mark A. Davis Oct 12, 2023
 STATE DESIGN ENGINEER

**Washington State
 Department of Transportation**